

Model JQBW-8

Wall Mount Dust Sensors



DESCRIPTION

The wall-mounted JQBW-8 series dust sensors are low profile, unobtrusive, and designed for installation in any space or conference room. It takes count of the dust number in a liter of air automatically. The transmitter controller includes analog output (0-5V or 4-20mA), a mounting/wiring sub-base, and a Lifetime Calibration Guarantee. All JQBW-8 series sensors offer a SPDT relay (normally open or closed) and can be custom programmed to a specific measurement and output range using the software interface or on-board keypad (display units).

PERFORMANCE SPECIFICATIONS

Supply voltage	24VDC (18-30V)
Power	Normal 42mA, maxim 100mA
Range	0-8.8K/L, or 7.1-9.0 Cleanliness (ISO14644-1 standard)
Accuracy (25°C)	±10%
Dust diameter	>1µm >2µm >2.5µm
Output	Current: 4 to 20mA (Load < 500Ω) Voltage: 0-5V/10VDC (Load > 1KΩ) Communication: RS-485/RS-232 Relay: 2 (2A/30VDC, 0.4A/125VAC)
Response time	<1min (0-90% RH)
Long-term stability	Temperature: <0.1°C/year
Operating environment	0-50 °C, 5% RH~95% RH
Display dimension	54mm x 45mm (128x64 dot LCD)
Mounting dimension	180mm x 130mm x53mm (White Color ABS)

FEATURES

- user setup 3 dust diameter (1µm, 2µm or 2.5µm)
- ±10% accuracy
- 128x64 dot LCD display with blue back
- wall-mounted installation easily
- 4-20mA, 0-5Vdc, RS-232/485 and relay outputs

ORDER CODES

JQBW-8	
II	Current 4ma to 20mA
V1	Voltage three-wire 0 - 5VDC
V2	Voltage three-wire 0 - 10VDC
W1	RS-485(max 127 nodes, 1.2km)
W2	RS-232
S1	>1µm
S2	>2µm
S3	>2.5µm
R1	1 relay output
R2	2 relay output

ELECTRICAL CONNECTION

Supply and analog outputs connection

Code	Red	Yellow	Black
II	+24V	signal	GND
V1	+24V	signal	GND

Communication connection

Code	TX	RX
W1	485+(A)	485-(B)
W2	232Tx	232Rx

Relay output connection

Code	NC	COM	NO
H-alarm	Normal close	Commonality	Normal open
L-alarm	Normal close	Commonality	Normal open

COMMUNICATION SPECIFICATIONS

Protocol

Data Format: 1 start bit, 8 data bit and 2 end bit.

Protocol type: MODBUS RTU (Hex data)

Addr	03	00	00	00	01	CRCH	CRCL
------	----	----	----	----	----	------	------

Example: If Addr=1 then

Command:

01	03	00	00	00	01	31	CA
----	----	----	----	----	----	----	----

Response:

01	03	02	DH	DL	CRCH	CRCL
----	----	----	----	----	------	------

Setting baud rate and communication address:

Please read the user manual of product.

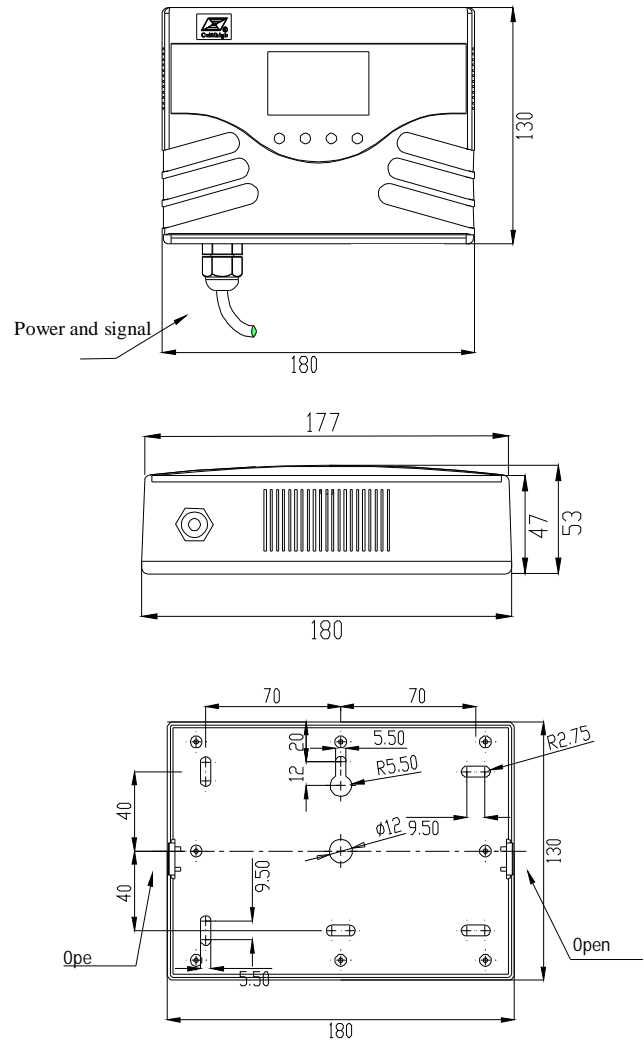
NOTES

Level	Dust number (K/Liter)
ISO7.1	0.1
ISO7.5	0.3
ISO8	0.7, 0.8,
ISO8.1	0.9~1.0
ISO8.2	1.1~1.3
ISO8.3	1.4~1.6
ISO8.4	1.7~2.1
ISO8.5	2.2~2.6
ISO8.6	2.7~3.4
ISO8.7	3.5~4.3
ISO8.8	4.4~5.3
ISO8.9	5.4~6.7
ISO9	6.8~8.8

- The transmitter should be installed in a steady area, avoid from direct sunshine, kept away from windows, air conditioning and central heating system etc. And it should not be installed on the wall which opposite the window or door in the room.

- The transmitter must be preventing from the chemical agent, oil, dust and dew, ice condition. And you must avoid using the product in the condition that temperature acuity.

MOUNTING DIMENSION



Model JQAW-8

Wall Mount Smart CO2 Sensors



DESCRIPTION

The wall-mounted JQAW-8 series sensors are low profile, unobtrusive, and designed for installation in any office space or conference room. The transmitter controller includes a dual analog output (0-5V and 4-20mA), a mounting/wiring sub-base, and a Lifetime Calibration Guarantee. All JQAW-8 Series sensors offer a SPDT relay (normally open or closed) and can be custom programmed to a specific measurement and output range using the software interface or on-board keypad (display units).

PERFORMANCE SPECIFICATIONS

Supply voltage	24VDC (18-30V)
Power	Normally 50mA, maximal 100mA
Range	0-2000ppm, 0-5000ppm, 0-10000ppm
Accuracy (25°C)	40ppm+3%F·S
Output	Current: 4 to 20mA (Load < 500Ω) Voltage: 0-5V/10VDC (Load > 1KΩ) Communication: RS-485/RS-232 Relay: 2 (2A/30VDC, 0.4A/125VAC)
Response time	<1 min (0-90%RH)
Long-term stability	<1.0%/year
Operating environment	0-50 °C , 5%RH~95%RH
Display dimension	54mm x 45mm (128x64 dot LCD)
Mounting dimension	180mm x 130mm x53mm (White Color ABS)

FEATURES

- 0-2000ppm, 0-5000ppm and 0-10000ppm Range
- ±3.0% accuracy
- 128x64 dot LCD display with blue back
- wall-mounted installation easily
- 4-20mA, 0-5Vdc, RS-232/485 and relay outputs

ORDER CODES

JQAW-8	
II	Current 4ma to 20mA
V1	Voltage three-wire 0 - 5VDC
V2	Voltage three-wire 0 - 10VDC
W1	RS-485(max 127 nodes, 1.2km)
W2	RS-232
S1	0~2000ppm
S2	0~5000ppm
S3	0~10000ppm
R1	1 relay output
R2	2 relay output

ELECTRICAL CONNECTION

Supply and analog outputs connection

Code	Red	Yellow	Black
II	+24V	Signal	GND
V1	+24V	Signal	GND

Communication connection

Code	TX	RX
W1	485+(A)	485-(B)
W2	232Tx	232Rx

Relay output connection

Code	NC	COM	NO
H-alarm	Normal close	Commonality	Normal open
L-alarm	Normal close	Commonality	Normal open

COMMUNICATION SPECIFICATIONS

Protocol

Data Format: 1 start bit, 8 data bit and 2 end bit.

Protocol type: MODBUS RTU (Hex data)

Addr	03	00	00	00	01	CRCH	CRCL
------	----	----	----	----	----	------	------

Example: If Addr=1 then

Command:

01	03	00	00	00	01	31	CA
----	----	----	----	----	----	----	----

Response:

01	03	02	DH	DL	CRCH	CRCL
----	----	----	----	----	------	------

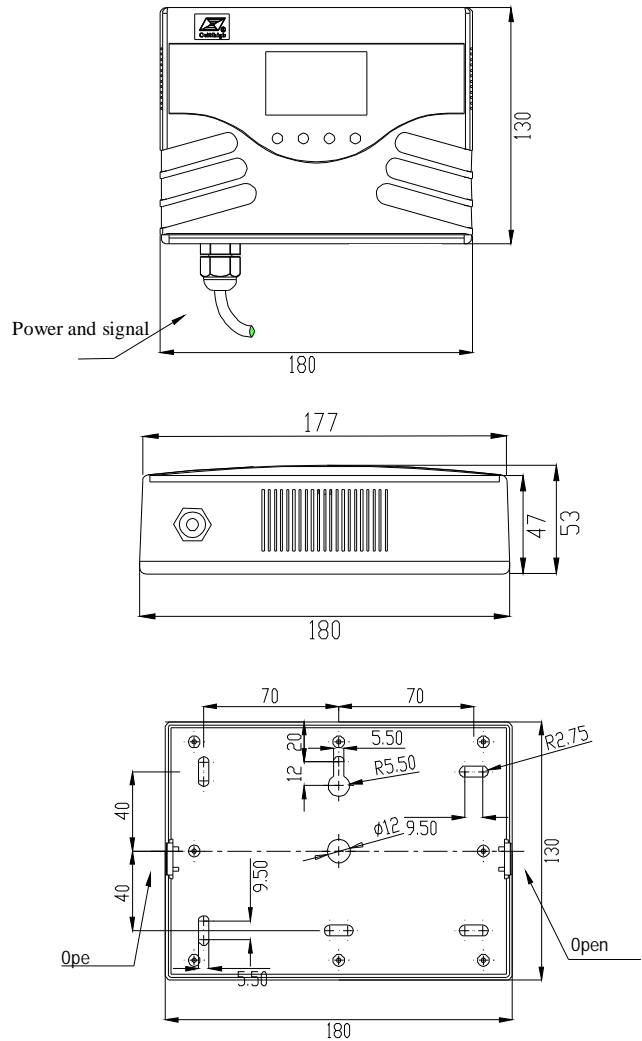
Setting baud rate and communication address:

Please read the user manual of product.

NOTES

- The transmitter should be installed in a steady area, avoid from direct sunshine, kept away from windows, air conditioning and central heating system etc. And it should not be installed on the wall which opposite the window or door in the room.
- The transmitter must be preventing from the chemical agent, oil, dust and dew, ice condition. And you must avoid using the product in the condition that temperature acuity.

MOUNTING DIMENSION



Model JS-DP

Normal Immersion Transmitter

DESCRIPTION

JS-DP-1/2-*immersion transmitter outputs the relay signal or the voltage level signal, when the sensor meet water, the sensor resistance value changed.

Features as follow: the high reliability, the anti-interference design, the high sensitivity the short response time, installing convenience, the power source, the input and the output all isolate.

This product can be widely applied in the communication station, the engine room, the library, the guesthouse, the hotel, the warehouse and so on.

PERFORMANCE SPECIFICATIONS

Supply Voltage	12 to 30VDC
Operating Range	0°C to +50°C
Output Signal	Relay output (max load 100mA); Voltage output: Low level < 0.5V High level +5V(±0.5V)
Pressure Media	Water alarm message
Accuracy	Error < 100ppm
Power	Normal 0.5W (max 1.2W at alarm)

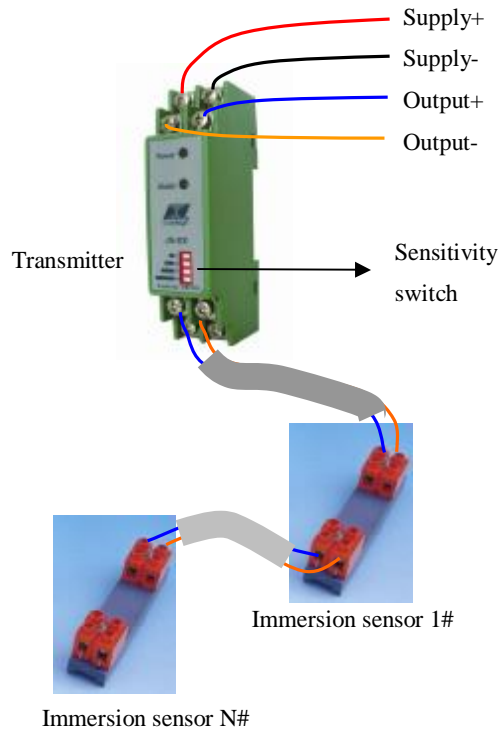
ORDERING CODES

JS-DP	R1	Relay output
	V1	Voltage 0V/5V output
	V2	Voltage 0V/12V
	O1	If immersion alarm, relay port open or output high voltage signal.
	O2	If immersion alarm, relay port close or output low voltage signal.
	S1	1 immersion sensor
	S2	2 immersion sensor
	S5	3 immersion sensor

FEATURES

- Four sensitivity selector.
- Relay output or high/low voltage signal output
- One transmitter support multi immersion sensors
- Isolation from supply, sensors and outputs.

PHYSICAL CONNECTION



MOUNTING DIMENSION

