

# Model JWSL-2

## General Wall-mounted Temp. & Hum. Transmitter



### DESCRIPTION

The model JWSL-2 series product is a temperature and humidity transmitter. It converts the temperature and humidity of air to stand electrical signals (e.g. 4-20mA, 0-5VDC, RS-232/485) for auto control system or remote data acquisition system. It's extensively used for fields such as smart building, telecommunication, electric power, petrification, environmental protection, papermaking, metallurgy, foodstuff, medical treatment etc.

### FEATURES

- wall-mounted installation easily
- $\pm 0.5^{\circ}\text{C}$  and  $\pm 3.0\% \text{RH}$  accuracy
- 4-20mA, 0-5Vdc, RS-232/485
- CE and ROHS certifications

### PERFORMANCE SPECIFICATIONS

Power voltage	24VDC (18-30V)
Accuracy (25°C)	Temperature: $\pm 0.5^{\circ}\text{C}$ (0°C-50°C) Humidity: $\pm 3.0\% \text{RH}$
Output	Current two-wire 4ma to 20mA ( Load < 500Ω); Voltage 0-5VDC ( Load > 1KΩ) RS-485/RS-232
Response time	<15s (wind speed >1m/s)
Long-term stability	Temperature: <0.1°C/year, Humidity: <1%RH/year
Operating environment	-10°C~60°C 5%RH~95%RH
Mounting dimension	84mm x 90mm x35mm (White Color ABS)

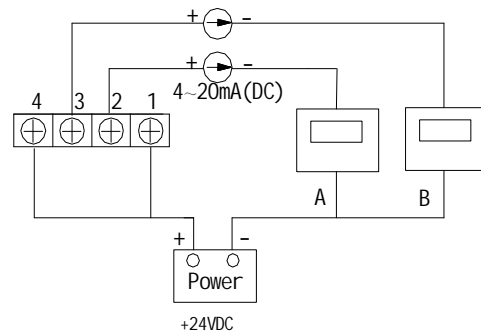
### ORDER CODES

JWSL-2	
I1	Current two-wire 4ma to 20mA
V1	Voltage three-wire 0 to5VDC
W1	RS-485(max 127 nodes, 1.2km)
W2	RS-232

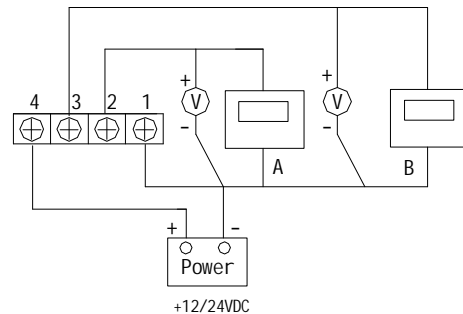
### ELECTRICAL CONNECTION

Code	1	2	3	4
I1	+24V	Hum.	Temp.	+24V
V1	GND	Hum.	Temp.	+24V
W1	GND	485-(B)	485+(A)	+24V
W2	GND	232Tx	232Rx	+24V

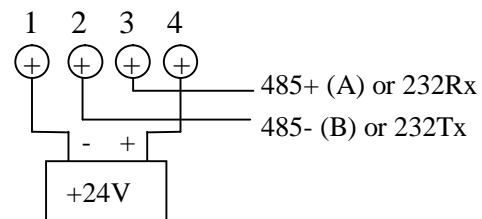
#### • Current two-wire 4ma to 20mA(JWSL-2I1)



#### • Voltage three-wire 0 to 5VDC(JWSL-2V1)



#### • RS-232/485(JWSL-2W1/W2)



## COMMUNICATION SPECIFICATIONS

### Protocol

**Data Format:** 1 start bit, 8 data bit and 2 end bit.

**Protocol type:** MODBUS RTU

Addr	03	00	00	00	02	CRCH	CRCL
------	----	----	----	----	----	------	------

Example: If Addr=1 then

Command:

01	03	00	00	00	02	C4	0B
----	----	----	----	----	----	----	----

Response:

01	03	04	TH	TL	HH	HL	CRCH	CRCL
----	----	----	----	----	----	----	------	------

### Setting baud rate

Switch		
1	2	Baud
1	1	9600
1	0	4800
0	1	2400
0	0	1200

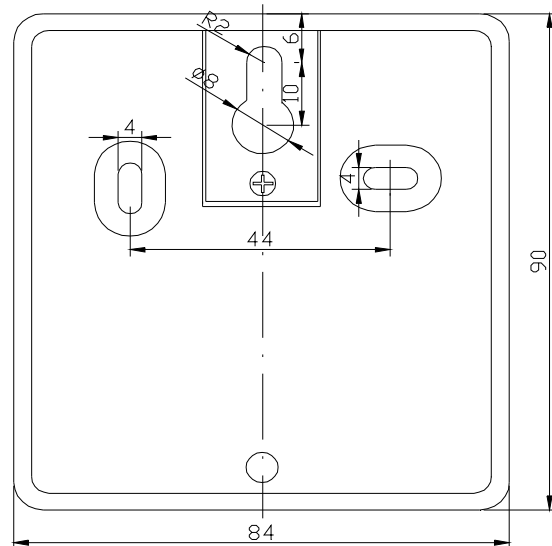
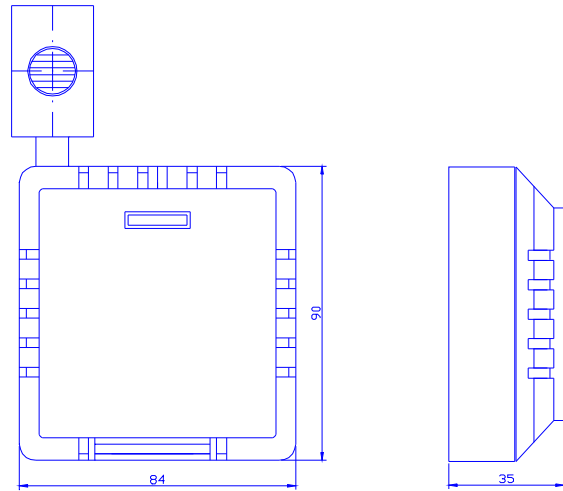
If switch position is "ON", value =1 else value =0.

### Setting communication address:

Switch								Address
1	2	3	4	5	6	7	8	
0	0	0	0	0	0	0	1	1
0	0	0	0	0	0	1	0	2
...	...	...	...	...	...	...	...	...
0	1	1	1	1	1	1	1	126
1	0	0	0	0	0	0	0	127

If switch position is "ON", value =1 else value =0.

## MOUNTING DIMENSION



### NOTES

- The transmitter should be installed in a steady area , avoid from direct sunshine, kept away from windows, air conditioning and central heating system etc. And it should not be installed on the wall which opposite the window or door in the room.
- The transmitter must be preventing from the chemical agent, oil, dust and dew and ice condition. And you must avoid using the product in the condition that temperature acuity.